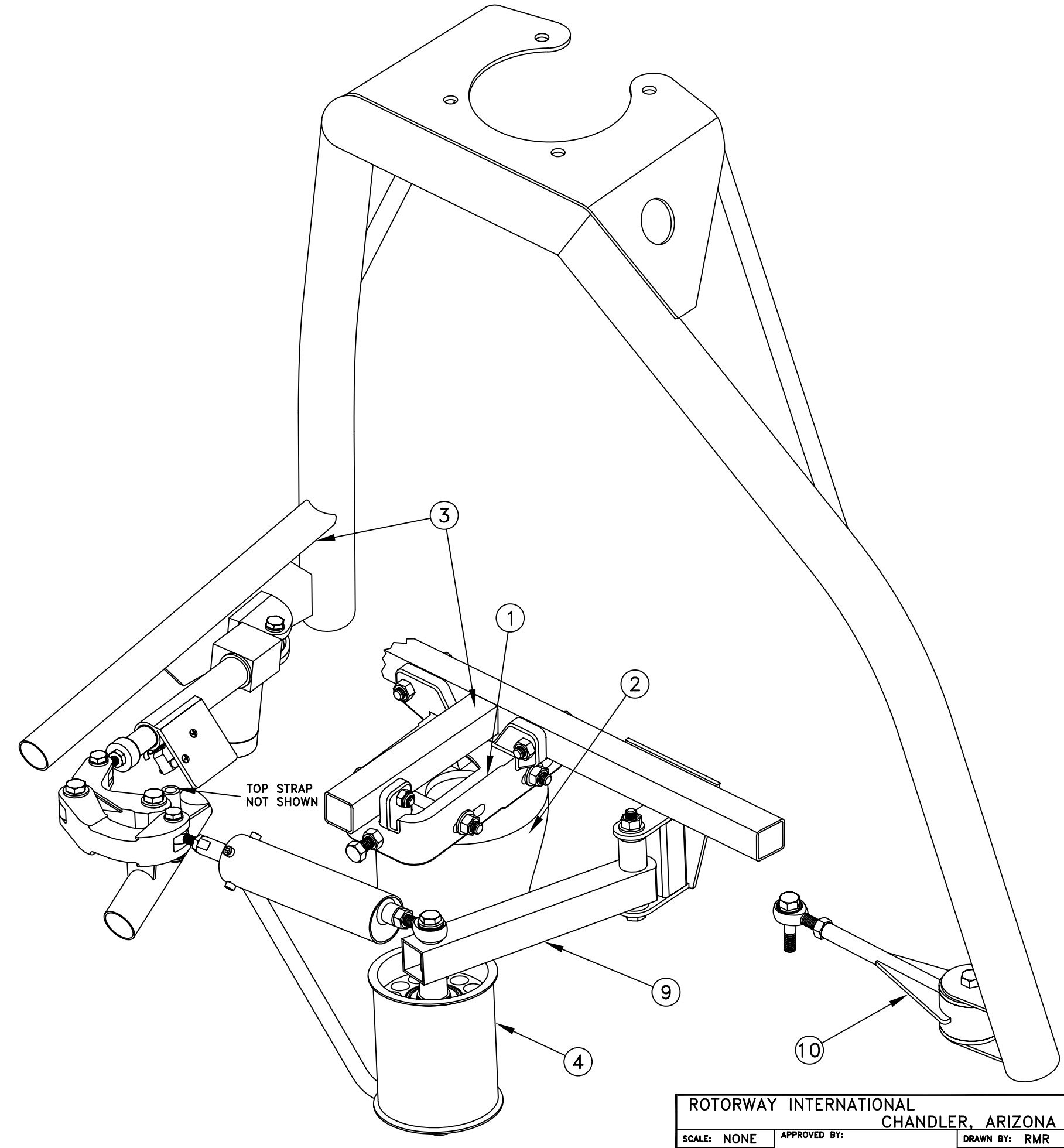
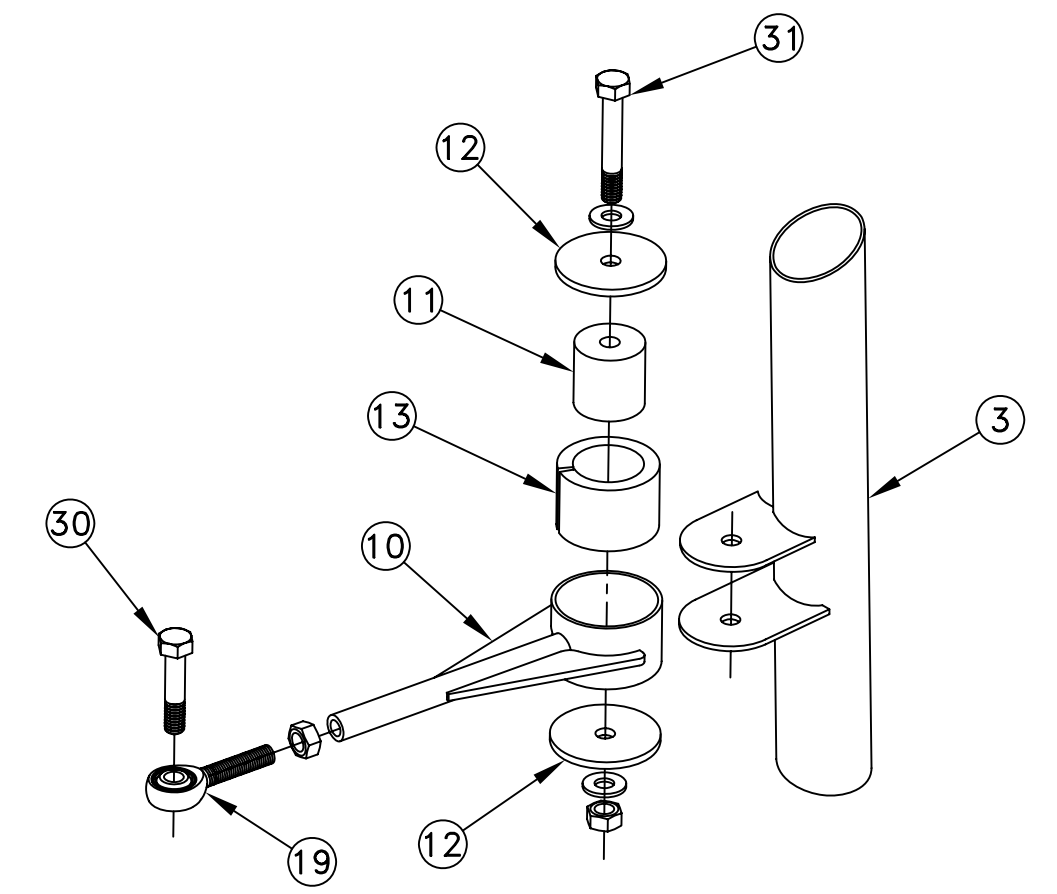
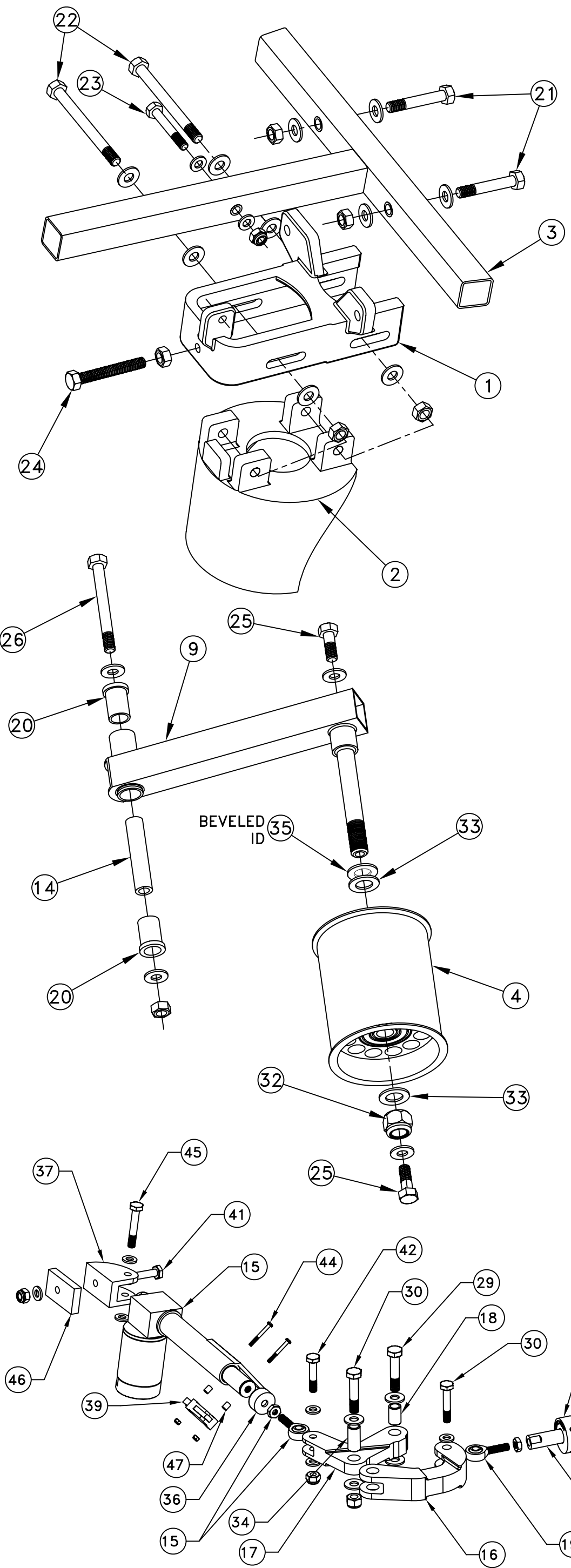


REF. NO.	PART NO.	PART NAME	QTY.
1.	E24-5110	UPPER ENGINE MOUNT CLEVIS.....	1
2.	E24-5100	UPPER ENGINE MOUNT CUP.....	1
3.	AIRFRAME	(REFERENCE)	
4.	E27-8140	IDLER PULLEY ASSY.....	1
5.	E27-8600	CLUTCH PISTON GUIDE.....	1
6.	E27-8400	CLUTCH TUBE PISTON ROD.....	1
7.	E27-8610	CLUTCH SPRING SPACER.....	1
8.	E27-8570	CLUTCH SPRING TUBE WELDMENT.....	1
9.	E27-8100	IDLER ARM WELDMENT.....	1
10.	E27-9000	TORQUE LINK WELDMENT.....	1
11.	E27-6160	ALUMINUM INSERT.....	1
12.	E27-1200	RUBBER WASHER 1/8" THK.....	2
13.	E27-1240	RUBBER INSERT.....	1
14.	E27-8180	IDLER ARM PIVOT SPACER.....	1
15.	E27-8500	CLUTCH ACTUATOR, ELECTRIC (WELDMENT).....	1
16.	E27-8520	CLUTCH PIVOT LINK.....	1
17.	E27-8530	CLUTCH PIVOT ARM.....	1
18.	E27-8550	PIVOT ARM BUSHING, SHORT.....	1
19.	E27-1160	5/16 MALE ROD END.....	3
	E00-3501	5/16 JAM NUT.....	3
20.	E27-8190	IDLER ARM PIVOT BUSHING.....	2
21.	E00-2531	BOLT AN5-22A (5/16 X 2-1/4).....	2
	E00-3500	5/16 FLOCK NUT.....	2
	E00-4501	5/16 FLAT WASHER.....	4
22.	E00-2524	BOLT AN5-34A (5/16 X 3-1/2).....	2
	E00-3500	5/16 FLOCK NUT.....	2
	E00-4501	5/16 FLAT WASHER.....	4
23.	E00-2416	BOLT AN4-25A (1/4 X 2-5/8).....	1
	E00-3402	1/4 FLOCK NUT.....	1
	E00-4401	1/4 FLAT WASHER.....	2
24.	E00-2525	BOLT 5/16 X 2-1/4 FULL THD.....	1
	E00-3502	5/16 JAM NUT.....	1
25.	E00-2505	BOLT AN5-7A (5/16 X 7/8).....	2
	E00-4501	5/16 FLAT WASHER.....	4
26.	E00-2524	BOLT AN5-34A (5/16 X 3-1/2).....	1
	E00-3500	5/16 FLOCK NUT.....	2
	E00-4501	5/16 FLAT WASHER.....	2
27.	E00-2400	BOLT AN4-11A (1/4 X 5/8).....	1
	E00-4401	1/4 FLAT WASHER.....	1
28.	E00-2200	BOLT 8-32 X 5/16 SHCS.....	4
		SAFETY WIRE	
29.	E00-2508	BOLT AN5-11A (5/16 X 1-1/8).....	1
	E00-3500	5/16 FLOCK NUT.....	1
	E00-4501	5/16 FLAT WASHER.....	2
30.	E00-2510	BOLT AN5-12A (5/16 X 1-1/4).....	2
	E00-3500	5/16 FLOCK NUT.....	1
	E00-4501	5/16 FLAT WASHER.....	2

31.	E00-2517	BOLT AN5-20A (5/16 X 2).....	1
	E00-3500	5/16 FLOCK NUT.....	1
	E00-4501	5/16 FLAT WASHER.....	1
32.	E00-3700	1/2 LOCK NUT.....	2
33.	E00-4700	1/2 FLAT WASHER.....	5
34.	E27-8560	CLUTCH PIVOT LINK, LONG.....	1
35.	E00-4710	BEVELED ID 1/2 FLAT WASHER.....	1
36.	E27-8620	ACTUATOR CAP.....	1
37.	E27-8630	ACTUATOR MOUNT.....	1
38.	E27-1210	CLUTCH IDLER SPRING.....	2
39.	E36-3030	MICRO SWITCH.....	1
40.	E15-1150	ROD END MALE 1/4".....	1
		1/4" JAMB NUT.....	1
41.	E00-2406	BOLT AN4-11A (1/4 X 1-1/8).....	1
	E00-3402	1/4 FLOCK NUT.....	1
	E00-4401	1/4 REG FLAT WASHER.....	2
42.	E00-2409	BOLT AN4-15A (1/4 X 1-5/8).....	1
	E00-3402	1/4 FLOCK NUT.....	1
	E00-4401	1/4 REG FLAT WASHER.....	2
44.	E00-1000	#4-40 X 1" SCREW.....	2
	E00-3000	#4-40 FLOCK NUT.....	2
45.	E00-2407	BOLT AN4-13A (1/4 X 1-3/8).....	1
	E00-3402	1/4 FLOCK NUT.....	1
	E00-4401	1/4 REG FLAT WASHER.....	2
46.	E27-8650	SPACER ACTUATOR MOUNT.....	1
47.	E36-3040	STANDOFF MICROSWITCH.....	2



ROTORWAY INTERNATIONAL CHANDLER, ARIZONA		
SCALE: NONE	APPROVED BY:	DRAWN BY: RMR
DATE: 2-29-08		REVISED: 11-20-08
ENGINE, TORQUE LINK ELECTRIC CLUTCH		
MODEL: A600 TALON		DRAWING NUMBER: E27-2000